

Frost protection thermostat Model A2G-65

WIKA data sheet TE 62.92

Applications

For air-side temperature monitoring and prevention of frost damage to water/air heating coils in ventilation and air-conditioning systems

Special features

- Simple mounting
- Compact and heavy-duty version
- High reproducibility
- Integrated switching output
- With automatic resetting



Frost protection thermostat, model A2G-65

Description

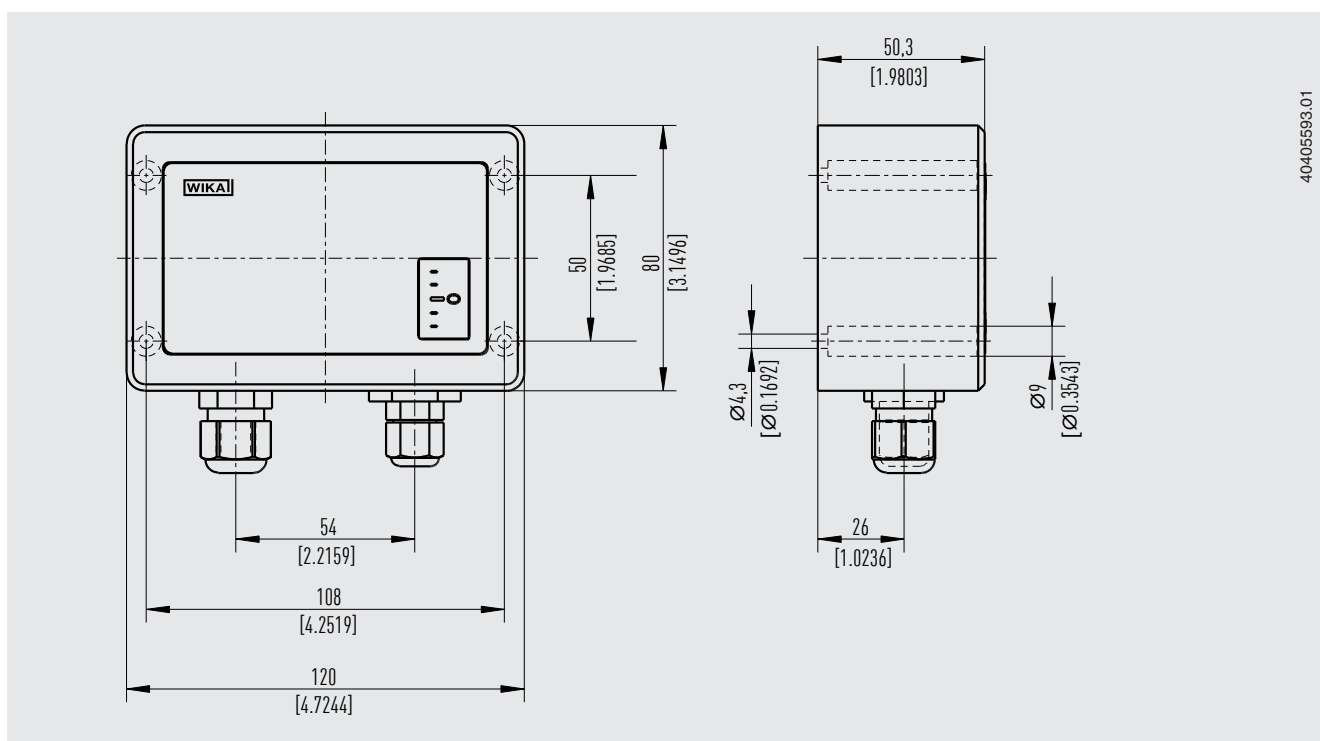
The model A2G-65 frost protection thermostat is used for monitoring the air-side temperature of water/air heating coils in ventilation and air-conditioning systems. The small temperature switch differential, the high reproducibility and the automatic resetting make this temperature switch an ideal thermostat for ventilation and air-conditioning.

The temperature-controlled switching output of the A2G-65 can trigger the following measures when the temperature drops below the selected set point (e.g. if there is a risk of frost): Ventilator OFF, external air damper CLOSED, pump ON, activation of a visible/audible warning etc.

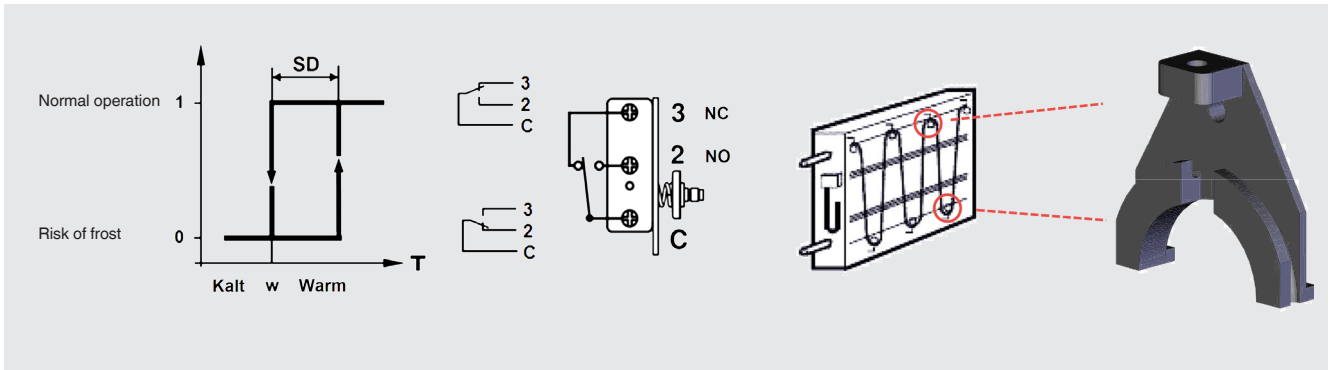
Specifications

Basic information	
Setting range for set point, W	-10 ... +12 °C [14 ... 53,6 °F] (factory setting: 5 °C [41 °F])
Switch differential	2 ±1 °C [3,6 ±1,8 °F], SD
Reproducibility	±0.5 °C [±0,9 °F]
Probe response length	Approx. 600 mm [23.62 in]
Capillary tube	<ul style="list-style-type: none"> ■ Material: Copper ■ Capillary tube filling: R 507
Capillary tube length	<ul style="list-style-type: none"> ■ 1.8 m [70.86 in] ■ 3 m [118.11 in] ■ 6 m [236.22 in] ■ 12 m [472.44 in]
Switching output	<ul style="list-style-type: none"> ■ Change-over contact, max. AC 250 V, max. 10 A ■ Contact material: Ag/Ni (90 %/10 %) gold-plated 3 µm [118 µin]
Resetting	<ul style="list-style-type: none"> ■ Automatic ■ Manual
Connection terminal	Screw terminal, max. 2.5 mm ²
Cable entry	Cable gland M16 x 1.5
Case material	
Lower body	PA GK30
Cover	ABS transparent
Standard accessories	Mounting clamps, 6 pieces
Operating conditions	
Medium temperature range	<ul style="list-style-type: none"> ■ Min. operating temperature: W + min. 2 °C [3,6 °F] ■ Max. operating temperature: 70 °C [158 °F]
Ambient temperature range	-30 ... 70 °C [-22 ... 158 °F], max. 85 % r. h., non-condensing
Relative humidity, condensation	0 ... 85 % r. h., non-condensing
Ingress protection	IP65

Dimensions in mm [in]



Electrical connection



Approvals

Logo	Description	Region
CE	EU declaration of conformity	European Union
	EMC directive	
	RoHS conformity	
	WEEE directive	

Certificates

Certificates	
Certificates	2.2 test report per EN 10204 (e.g. state-of-the-art manufacturing, material proof, indication accuracy)

→ For approvals and certificates, see website

Scope of delivery

- Frost protection thermostat
- Mounting material for the capillary tube

Ordering information

Model / Capillary tube length / Approvals / Certificates

© 02/2011 WIKA Alexander Wiegand SE & Co. KG, all rights reserved.
 The specifications given in this document represent the state of engineering at the time of publishing.
 We reserve the right to make modifications to the specifications and materials.
 In case of a different interpretation of the translated and the English data sheet, the English wording shall prevail.

