

OBSOLETE

Thermometers

Thermowells

Fabricated, with Flange

Form 3F per DIN 43 772 • Model SD300F

Application

The thermowells model SD300F are flange-fitted into the process. They are suitable for low and medium process loads, that might occur as a result of flow, temperature and process pressure influences or vibrations.

An optimized response time design due to a tapered tip and a minimized air gap between the inner wall of thermowell and the thermometer characterize this model.

Standard features

Thermowell material

Stainless steel 1.4571

Flange

per DIN 2527 with sealing face Form C per DIN 2526

Nominal diameter

DN 25, DN 50

Pressure rating

PN 16-40

Instrument connection

Running nut M24 x 1.5

Bore size

Ø6.1 mm

Insertion length U_1

225, 285, 345, 465, 645 mm

Total length L

Insertion length + 82 mm

Maximum process temperature ¹⁾

600 °C with thermowell material stainless steel 1.4571

Maximum process pressure (static) ¹⁾

40 bar with thermowell material stainless steel 1.4571

Optional extras

- Other dimensions and materials
- Quality certificates

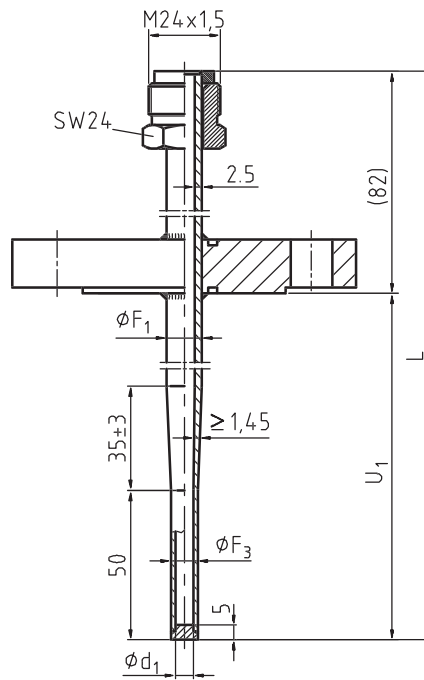


1) Ratings depends on below parameters:

- Process medium
- Process pressure and temperature
- Flow rate
- Design of thermowell (dimensions, material)

Dimensions

OBSOLETE



3334 703.01

Legend:

- L Total length
- U_1 Insertion length
- SW Across flats
- $\varnothing d_1$ Bore size
- $\varnothing F_1$ Root diameter of thermowell
- $\varnothing F_3$ Tip diameter of thermowell

Dimensions in mm			
$\varnothing d_1$	$\varnothing F_1$	$\varnothing F_3$	SW
6.1	12	9	24

Weight in kg		
$U_1 = \text{mm}$	DN25	DN50
225	1.540	3.160
285	1.570	3.190
345	1.590	3.210
465	1.640	3.260
645	1.790	3.410

Suitable stem lengths of mechanical thermometers

Dial thermometers

Design of connection	Stem length l_1	
3	$l_1 = L - 12 \text{ mm}$	or $l_1 = U_1 + 70 \text{ mm}$

Ordering information

State: Model / Material / Flange / Instrument connection / Bore size / Insertion length U_1 / Optional extras required

Specifications and dimensions given in this leaflet are correct at the time of printing.
Modifications may take place and materials specified may be replaced by others without prior notice.



WIKAI Alexander Wiegand GmbH & Co. KG
Alexander-Wiegand-Straße · 63911 Klingenberg
☎ (0 9372) 132-0 · ☎ (0 9372) 132-406/414
http://www.wika.de · E-mail: info@wika.de